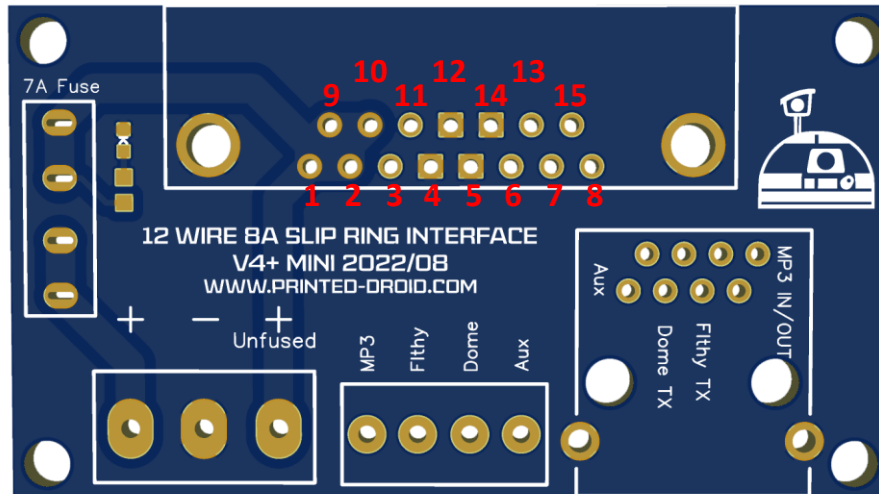


Mini 12 Wire Slipping Adapter Connections

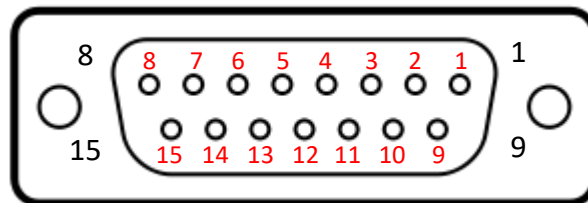
v1.3 – 2022/11

www.printed-droid.com

The latest diagrams and files can always be found here:
<http://www.printed-droid.com/files/>



Adapter on PCB



Connections:

- | | |
|--------------------|-------------------|
| 1 - POWER + | 9 - POWER + |
| 2 - POWER + | 10 - POWER + |
| 3 - UNUSED! | 11 - UNUSED! |
| 4 - GROUND | 12 - GROUND |
| 5 - GROUND | 13 - GROUND |
| 6 - UNUSED! | 14 - MP3 + RJ45 |
| 7 - Dome TX + RJ45 | 15 - Flthy + RJ45 |
| 8 - AUX + RJ45 | |

Recommended Fuse: 7.5A or 10A